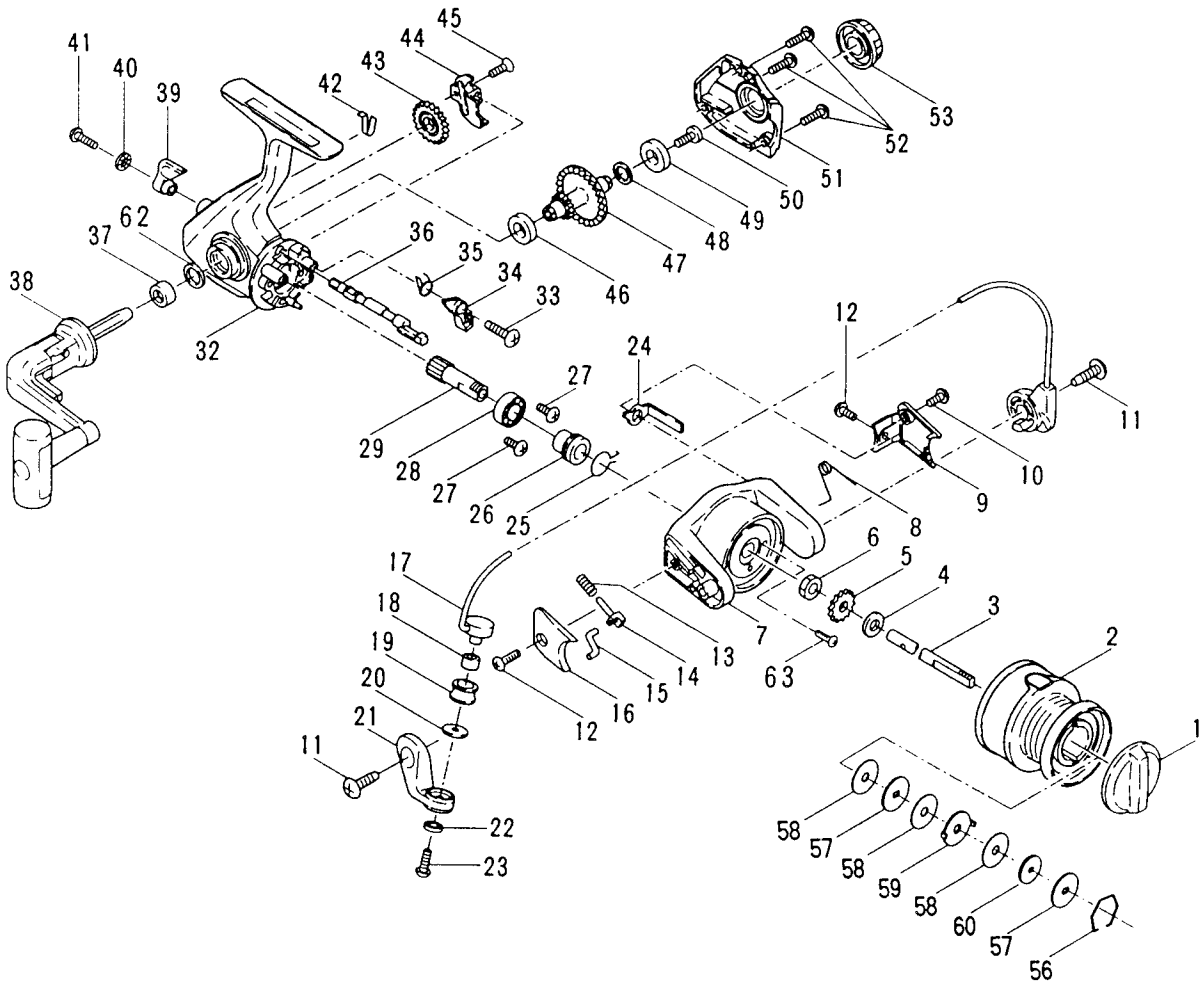




## PARTS AND PRICE LIST FOR MODEL 1000



Key No.	Part No.	Description	Price	Key No.	Part No.	Description	Price
1	052 1000	Drag Knob Asm. w/Spring	\$5.25	34	004 1000	Anti-Reverse Dog	\$ .75
2	047 1000	Spool Assembly	13.00	35	004A1000	Dog Spring	.95
3	039 1000	Spool Shaft	3.75	36	006A1000	Eccentric Shaft	1.05
4	060 1000	Thrust Washer	.50	37	015A1000	Handle Spacer	.50
5	040B1000	Click Ratchet	.55	38	015 1000	Handle Assembly	10.50
6	038 1000	Rotor Nut	.50	39	006E1000	Eccentric Lever	.50
7	027 1000	Rotor Cup	7.25	40	006G1000	Thrust Washer	.45
8	106 1000	Cam Lever Spring	.50	41	006F1000	Ecc. Lever Mounting Screw	.45
9	227 1000	Cam Lever Cover	1.75	42	006D1000	Ecc. Shaft Spring	.50
10	050 1000	Cover Screw	.45	43	231 1000	Crosswind Gear	1.10
11	031A1000	Trip Arm Screws (2 req.)	.50	44	043 1000	Crosswind Gear Block	1.10
12	028B1500	Cam Lever Mtg. Screws (2 req.)	.50	45	044 1000	Crosswind Block Screw	.45
13	034C1000	Pivot Spring	.50	46	002 1000	Housing Bushing	1.05
14	034B1000	Pivot Shaft	.50	47	008 1000	Main Gear	3.50
15	034A1000	Pivot Arm	.50	48	008A1000	Main Gear Shim	.40
16	027A1000	Bail Pivot Cover	2.00	49	002A1000	Cover Bushing	1.05
17	024 1000	Bail Wire Assembly	7.50	50	009A1000	Standard Drive Screw	.90
18	035A1000	Line Roller Bushing	.50	51	045 1000	Housing Cover	5.00
19	035 1000	Line Roller	2.25	52	046 1000	Cover Screws (3 req.)	.45
20	132 1000	Roller Washer	.80	53	233 1000	Bearing Cover	2.15
21	034 1000	Bail Arm	2.25	**	**048 1000	Spool Click Tongue	.50
22	022A875	Washer	.50	**	**022 1000	Click Tongue Screw	.50
23	036 1000	Bail Stud Screw	.50	56	051 1000	Drag Retaining Ring	.40
24	028A1000	Trip Cam Lever	1.00	57	057 1000	Keyed Drag Washers (2 req.)	.55
25	230 1000	Silent Dog Spring	.50	58	006 1000	Teflon Drag Washers (3 req.)	.60
26	019A1000	Pinion Spacer	.90	59	058 1000	Ear Drag Washer (1)	.60
27	023 1000	Bearing Mtg. Screws (2 req.)	.50	60	052A1000	Drag Washer (Thick)	.45
28	020 1000	Ball Bearing	7.75	**	**040C4000	Click Washer	.45
29	019 1000	Pinion Gear	3.80	62	015B900	Handle Washer	.55
32	001 1000	Housing	10.00	63	305 875	Rotor Nut Locking Screw	.40
33	003 1000	Dog Mounting Screw	.75				